

## S180 SCALE INHIBITOR SYSTEM

Model Number: LX-2202PPS180



### SYSTEM DESCRIPTION

The S180 is a pH-neutral scale inhibitor filter that effectively inhibits scale build-up and corrosion in foodservice equipment, including water boilers, ice makers, coffee machines, hot tea brewers, steamers, and warewashers. It preserves the original water pH with minimal impact on quality. Its unique molecular structure allows efficient operation in environments up to 392°F, maintaining high scale inhibition even under high pH and temperature conditions. The S180 achieves over 95% scale prevention, reducing maintenance costs, preventing metal surface corrosion, and extending the lifespan of pipelines and equipment.

### FEATURES

#### Excellent Scale Reduction Performance

Achieves over 95% scale inhibition using only 0.5–0.6 g per ton of water.

#### pH-Neutral Treatment

Controls scale with minimal water quality impact, preserving original pH and water quality.

#### Advanced Scale Inhibition

By adsorbing, disassembling, recombining, promoting crystal growth, and eliminating calcium and magnesium ions in water.

### BENEFITS

- ▲ Provides protection against machine corrosion
- ▲ Delivers exceptional performance in temperatures up to 392°F
- ▲ A system that effectively targets scale

### APPLICATIONS

- ▲ Ice
- ▲ Scale Reduction

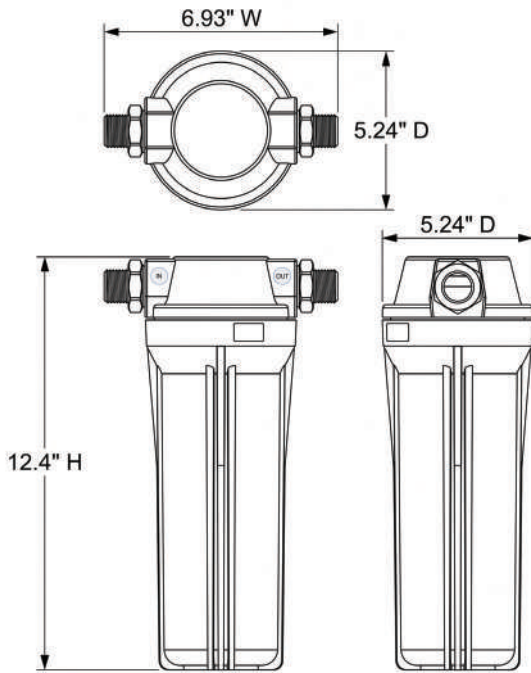


Scale Inhibitor wall mount

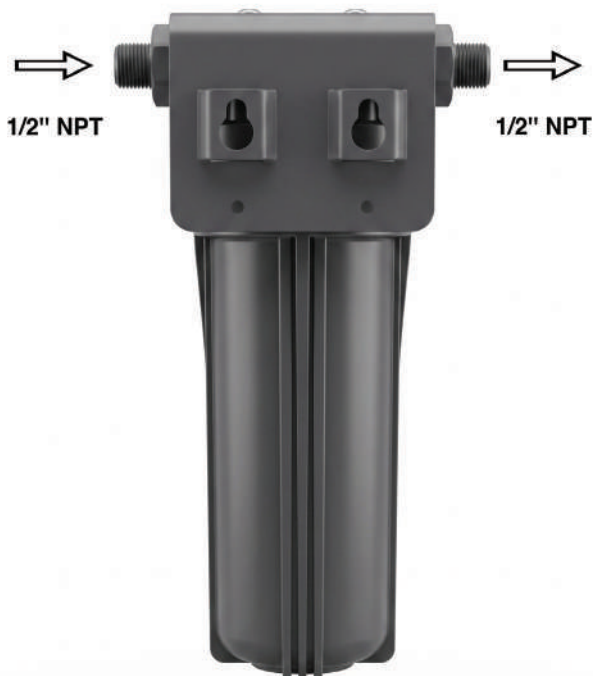
# S180 SCALE INHIBITOR SYSTEM

Model Number: LX-2202PPS180

## SPECIFICATIONS



Product	S180 Scale Inhibitor System
Models	LX-2202PPS180
Product Size	12.4" x 6.93" x 5.24"
Product Weight	3.75lbs
Capacity	26,420 Gal. / 6 months
Working Pressure	14.5 PSI - 58 PSI
Working Temperature	39.2°F - 104°F
Inlet / Outlet Pipe	3/4" NPT
Replacement Recommendations	6 months or 26,500 gal



## REPLACEMENT CARTRIDGES

### Scale Control



#### Scale Inhibitor Filter

- Scale inhibitor filter system reduces scale build-up and corrosion in foodservice equipment
- Releases high-energy polymer nanospheres rich in crystalline elements, effectively inhibiting the formation of limescale crystals, achieving both scale prevention and scale removal

ANGEL HEALTH TECHNOLOGY LIMITED

Address: 130 Battery Street Suite 500  
San Francisco, Ca 94111

Website: [www.angelgroup.com](http://www.angelgroup.com)

Email: [usa@angelgroup.com](mailto:usa@angelgroup.com)

Phone: +1 844-264-3597



Website



LinkedIn



Instagram